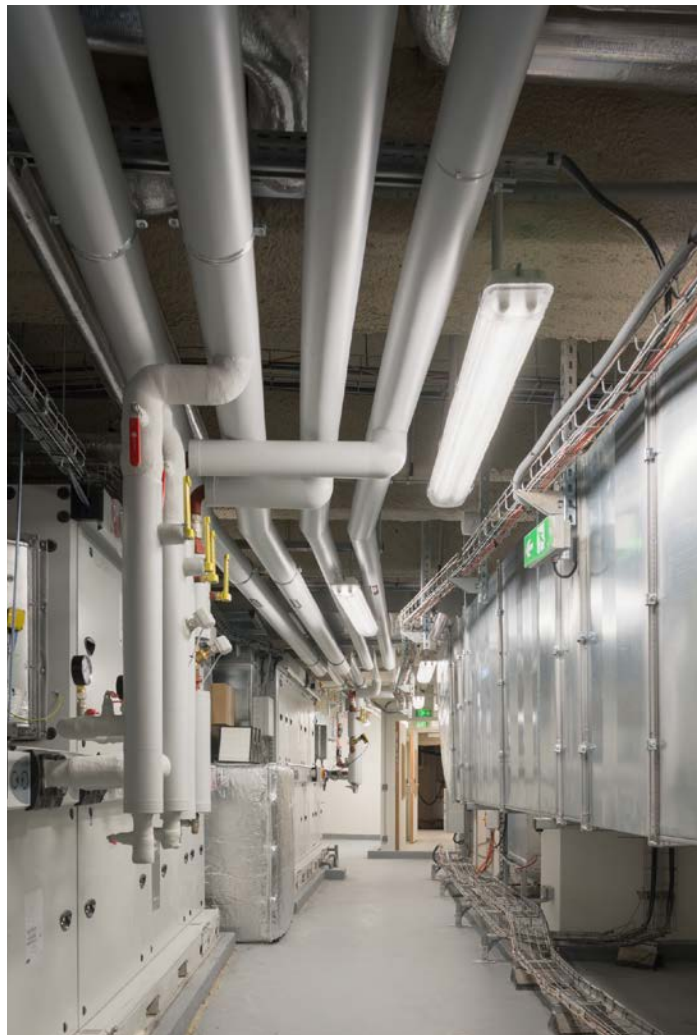


# Industrial sites Infrastructure

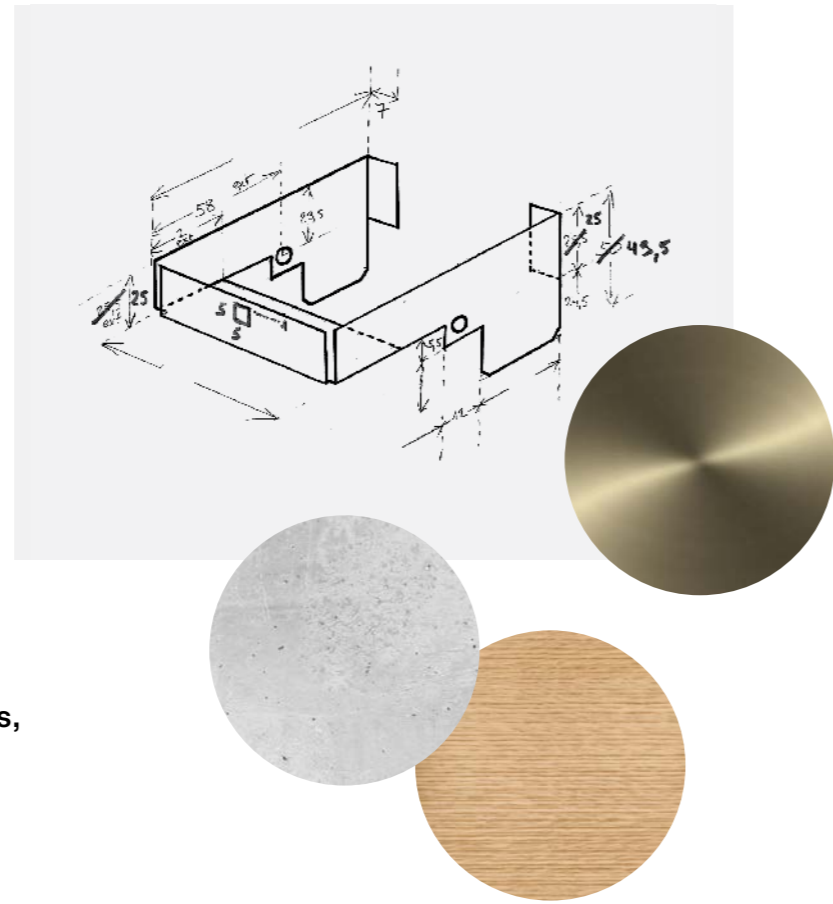
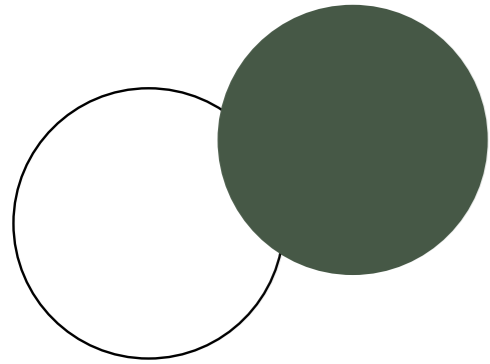




Béhar supports the stakeholders involved in the design, operation, and maintenance of industrial sites and infrastructure — from specialized facilities to large-scale complexes.

Our expertise, combining technical mastery and innovation, enables us to deliver tailor-made solutions for the optimal and aesthetic integration of emergency lighting, in perfect harmony with the architecture.

# Design for all architectures



Since 1960, Béhar has been designing emergency lighting fixtures with clean lines, made from sustainable materials.

They blend naturally into any architectural environment.

Every detail can be customized: shape, color, finish, mounting type, accessories, surface treatment, etc., to meet the aesthetic requirements of each project.



# Customization



Infinite customization — each product can be tailored to the needs of your project and the specific characteristics of the building.



# Our emergency lighting solutions

All our solutions are available in addressable, self-test, power central source, and self-test bi-function versions. Custom solutions and special finishes available on request.

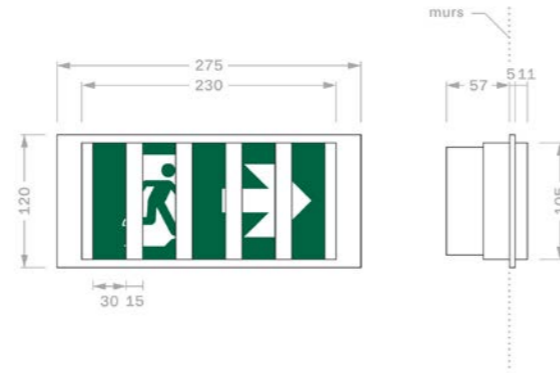
A non-exhaustive selection of our solutions — find our full range on our website:



## Eclat<sup>2</sup>



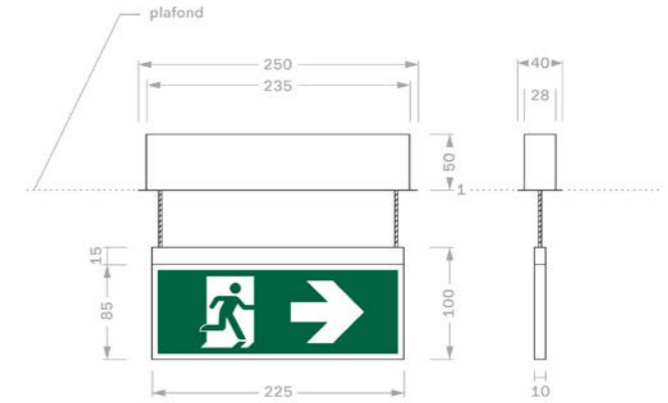
Protective grille  
– IK 10.



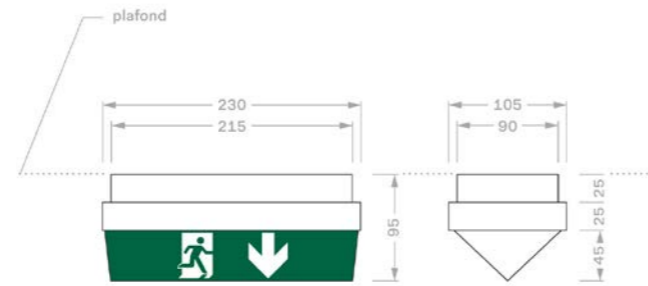
## Spark



Discover the wide range of mounting options for the series on our website.



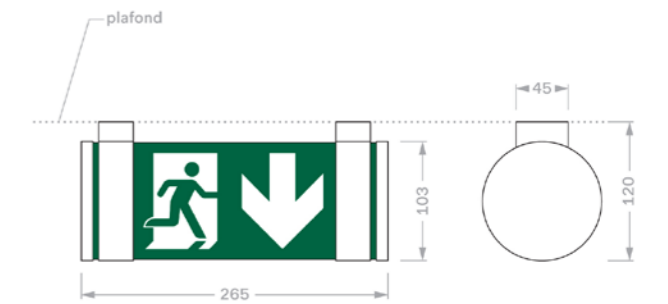
## Compact Triangulaire



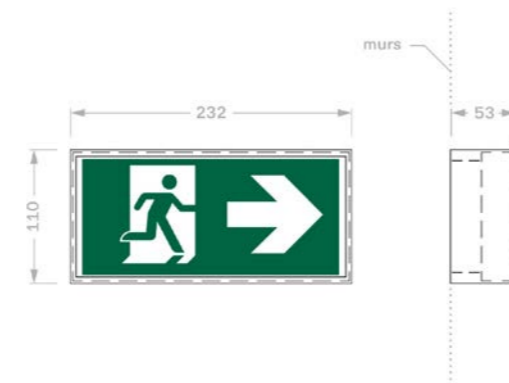
## Cylindrik



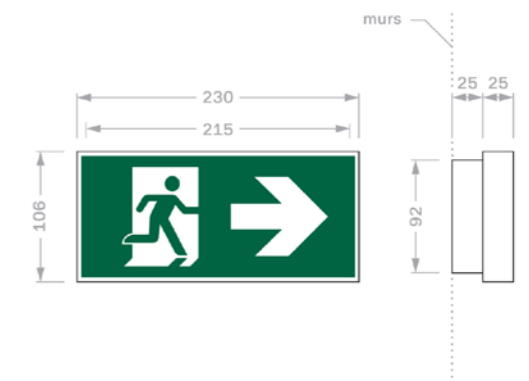
Stainless steel housing.



## Eclat



## Eclat<sup>2</sup>



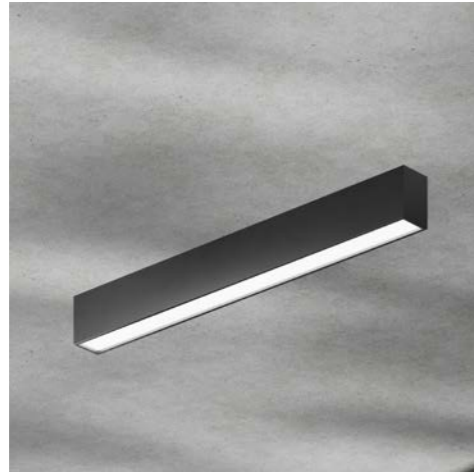
# Our anti-panic and specific sign lighting solutions

All our solutions are available in addressable, self-test, power central source, and self-test bi-function versions. Custom solutions and special finishes available on request.

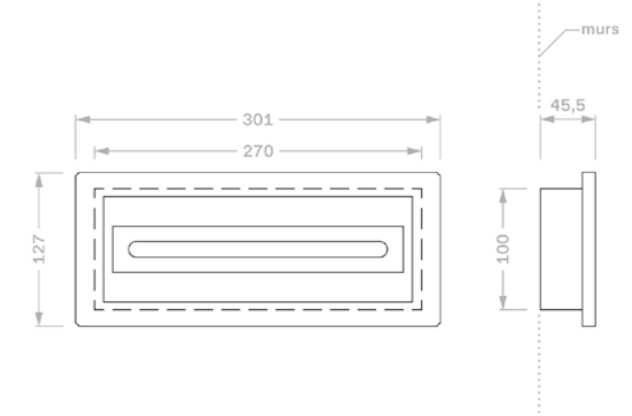
A non-exhaustive selection of our solutions — find our full range on our website:



## Réglette

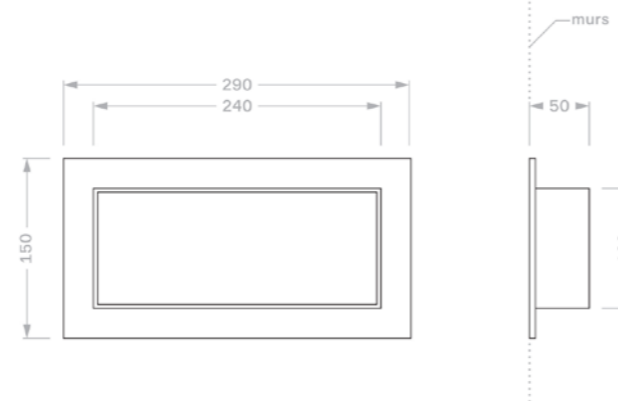


## CS



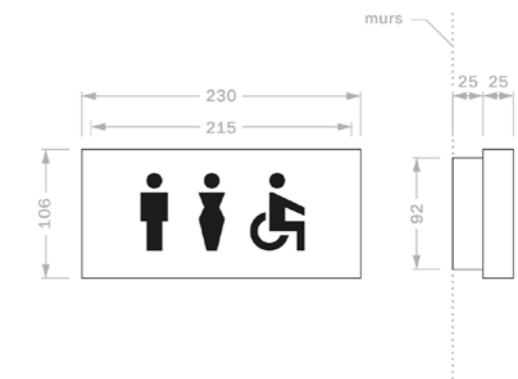
High luminous flux.

## Skape



Designed and developed in collaboration with Studio Wilmotte & Industries.

## Eclat<sup>2</sup>



Customizable signage pictogram.

## Cylindrik



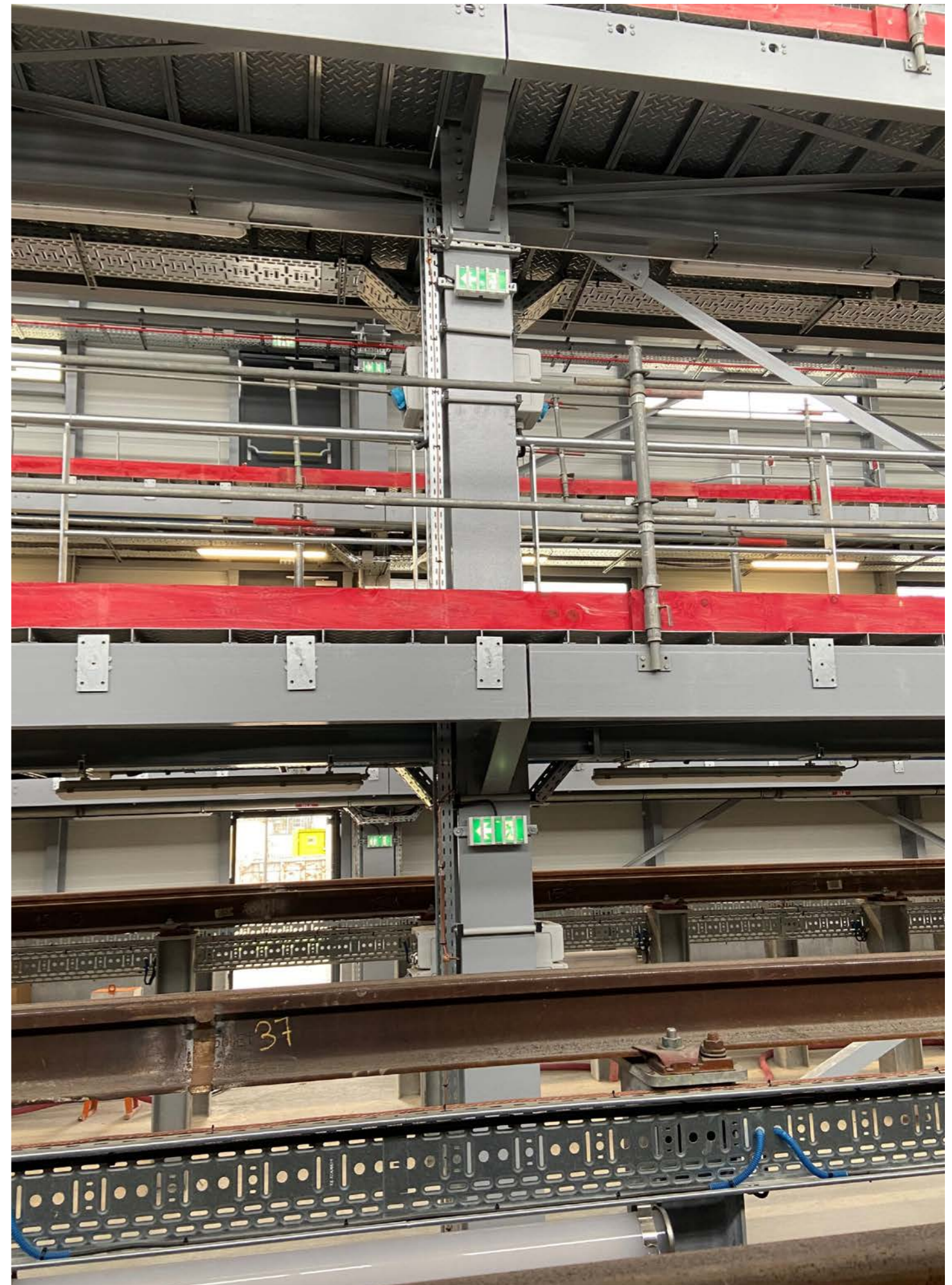
## Smart System

A unique system offering efficiency, safety, and total control.





Tour Keiko Parking, Paris, Loci Anima Architectures, photo by J. Chulski, Éclat<sup>2</sup> collection



SMGL Nanterre, Éclat<sup>2</sup> collection



Hôtel Mondrian Bordeaux Les Carmes Parking, Architecture by P. Starck, photo by I. Mathie, Éclat<sup>2</sup> collection



Hôtel Mondrian Bordeaux Les Carmes Parking, Architecture by P. Starck, photo by I. Mathie, Éclat<sup>2</sup> collection

