

Evacuation lighting

The self-contained units will be of the SATI Cylindrical type for ceiling mounting, suspension or wall mounting in accordance with the integration plan, with an assigned luminous flux of 45/60 lumens for 1H, from BEHAR Sécurité, CYLINDRIK series type CYE 60L - (ref: 43260) in length 260mm or CYE 340 - (ref: 43259) in length 310mm or equivalent.

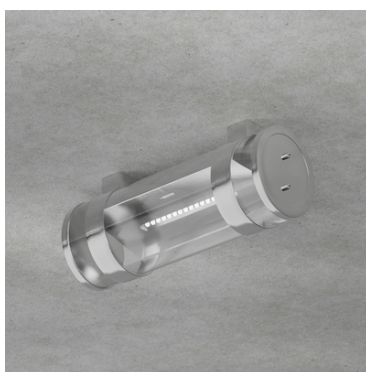


Depending on the zone, the CYLINDRIK type CYEE.A - (ref: 43600) wall-mounted flag cylindrical blocks from the same series may be installed.



Ambient lighting

The self-contained atmospheric units will be cylindrical for ceiling mounting, suspension or wall mounting in accordance with the integration plan, with an assigned luminous flux of 500 lumens for 1H, from BEHAR Sécurité, CYLINDRIK series type CYE 340 - (ref : 43259) in 260mm length or CYEA 450 - (ref : 75019) in 310mm length or equivalent.



All cylinder blocks are fitted with removable pictograms inserted into the cylinder in special grooves. For a perfect finish, a cover plate will be provided at the rear to conceal the electronics. The body will be coated in polycarbonate, with a steel internal support and 316L stainless steel flanges and collars.

All escape units are also available in Bi-function, BAEH or DBR.

ATEX version

In areas with an ATEX explosive atmosphere, the self-contained units will be SATI Cylindrical type for ceiling or wall mounting in accordance with the integration plan, with an assigned luminous flux of 360 lumens for 1H, from BEHAR Sécurité, CYLINDRIK type ADF 360 - (ref: 75033) in 480mm length or equivalent.



In areas with an ATEX explosive atmosphere, the self-contained units will be SATI Cylindrical, ceiling-mounted or wall-mounted in accordance with the integration plan, with an assigned luminous flux of 360 lumens for 1H, from BEHAR Sécurité, CYLINDRIK type ADF 360 - (ref: 75033) in 480mm length or equivalent.



All ATEX Cylindrical Blocks are equipped with adhesive pictograms and feature borosilicate glass bodies, internal steel supports and epoxy-painted steel flanges.

Evacuation lighting

The self-contained units will be of the ADRESSABLE Cylindrical type for ceiling mounting, suspension or wall mounting in accordance with the integration plan, with an assigned luminous flux of

45/60 lumens for 1H, made by BEHAR Sécurité, CYLINDRIK series type CYE60ADR - (ref : 53258) in length 260mm (length 310mm on request) or equivalent.

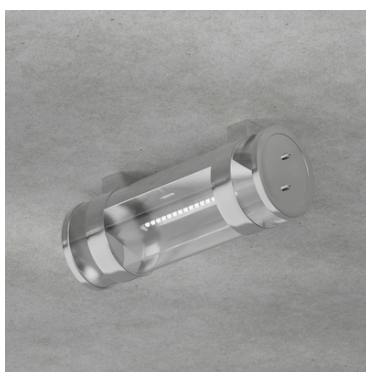


Depending on the zone, the CYLINDRIK type CYEE.AADR - (ref : On request) wall-mounted flag cylindrical blocks from the same series may be installed.



Ambient lighting

The self-contained atmospheric units will be cylindrical for ceiling mounting, suspension or wall mounting in accordance with the integration plan, with an assigned luminous flux of 500 lumens for 1H, from BEHAR Sécurité, CYLINDRIK series type CYE340ADR - (ref: 74090) in length 260mm (length 310mm on request) or equivalent.



All cylinder blocks are fitted with removable pictograms inserted into the cylinder in special grooves. For a perfect finish, a cover plate will be provided at the rear to conceal the electronics. The body will be coated in polycarbonate, with a steel internal support and 316L stainless steel flanges and collars.

All escape units are also available in Bi-function, BAEH or DBR.

ATEX version

In areas with an ATEX explosive atmosphere, the self-contained units will be ADRESSABLE Cylindrical for ceiling or wall mounting in accordance with the integration plan, with an assigned luminous flux of 360 lumens for 1H, made by BEHAR Sécurité, CYLINDRIK type ADF360A - (ref: 75034) in 480mm length or equivalent.



In areas with an ATEX explosive atmosphere, the self-contained units will be SATI Cylindrical for ceiling or wall mounting in accordance with the integration plan with an assigned luminous flux of 360 lumens for 1H, from BEHAR Sécurité, CYLINDRIK type ADF360A - (ref: 75034) in 480mm length or equivalent.



All ATEX Cylindrical Blocks are equipped with adhesive pictograms and feature a borosilicate glass body, internal steel support and epoxy-painted steel flanges.

Evacuation lighting

The units will be LSC Cylindrical for ceiling, suspension or wall mounting in accordance with the integration plan, with an assigned luminous flux of 45/60 lumens, from brand BEHAR Sécurité, CYLINDRIK series type CYEL - (ref: 33053) in 260mm length or CYE45SC - (ref: 74098) in 310mm length or equivalent.

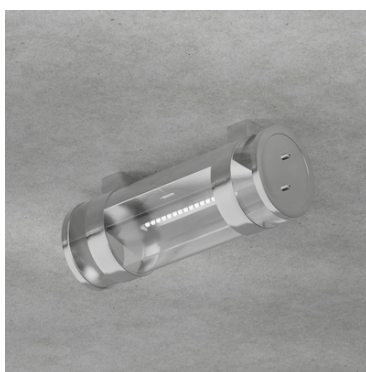


Depending on the zone, the CYLINDRIK type CYEE.SC - (ref: 43601) wall-mounted flag cylindrical blocks from the same series may be installed.



Ambient lighting

The self-contained atmospheric units will be cylindrical for ceiling, suspension or wall mounting, in accordance with the integration plan, with an assigned luminous flux of 500 lumens for 1H, from BEHAR Sécurité, CYLINDRIK type CYE360SC - (ref: 74099) in length 260mm or equivalent.



All cylinder blocks are fitted with removable pictograms inserted into the cylinder in special grooves. For a perfect finish, a cover plate will be provided at the rear to conceal the electronics. The body will be coated in polycarbonate, with a steel internal support and 316L stainless steel flanges and collars.

All escape units are also available in Bi-function, BAEH or DBR.

ATEX version

In areas with an ATEX explosive atmosphere, the units will be LSC Cylindrical ceiling-mounted or wall-mounted in accordance with the integration plan, with an assigned luminous flux of 360 lumens, from BEHAR Sécurité, CYLINDRIK series type ADF360SC - (ref: 75036) in 480mm length or equivalent.



In areas with an ATEX explosive atmosphere, the units will be LSC Cylindrical ceiling-mounted or wall-mounted in accordance with the integration plan, with an assigned luminous flux of 360 lumens, from BEHAR Sécurité, CYLINDRIK series type ADF360SC - (ref: 75036) in length 480mm or equivalent.



All ATEX Cylindrical Blocks are equipped with adhesive pictograms and feature borosilicate glass bodies, internal steel supports and epoxy-painted steel flanges.